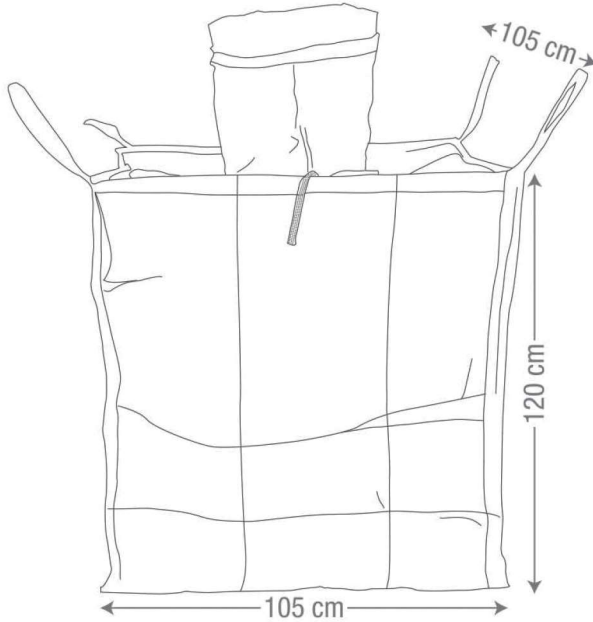


TECHNICAL SPECIFICATIONS FIBC JUMBO BAGS

ecotact[®]
Hermetic Packaging Solutions



Item code:
ECOTACT FIBC 1T

DESCRIPTION

Ecotact FIBC 1T, manufactured with Polypropylene uncoated fabric and hermetic liner inside | 170 GSM PP | 150 microns Liner | Double Row Parallel Chain Stitch

DIMENSIONS

105 cm (L) x 105 cm (W) x 120 cm (H)

STRUCTURE

Fabric	PP UV Stabilized Un-Coated Fabric
Construction	4-Panel
SWL	1000 kgs
Safety Factor	5:1

TOP & BOTTOM

Spout Top	40 cm diameter x 50 cm length
Spout Bottom	35 cm diameter x 50 cm length with Secondary Closure (Pyjama)

LIFTING SYSTEM

Lifting Loop	4 x Corner loops with 25 cm loose loop above bag height
Material	PP of 38 GPM
Loop Height	25 cms

ADD-ONS

Document Pouch	1 x A4
Stacking	Up to 2 floors
Customised Printing	Possible for MOQs of 100 bags
Anti-Bulging	Yes. Liner baffles to support anti-bulging

AASHIRVAD INTERNATIONAL

878 S. P. Mukherjee Marg, New Delhi-110006, India

P +91 11 2352 9217/2393 8035 **F** +91 11 4702 8340 **☎** +91 8448 848 948

E info@aashirvad.in **W** www.ecotactbags.com